

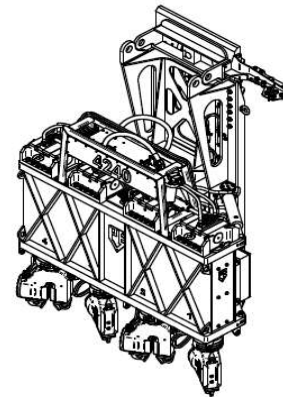
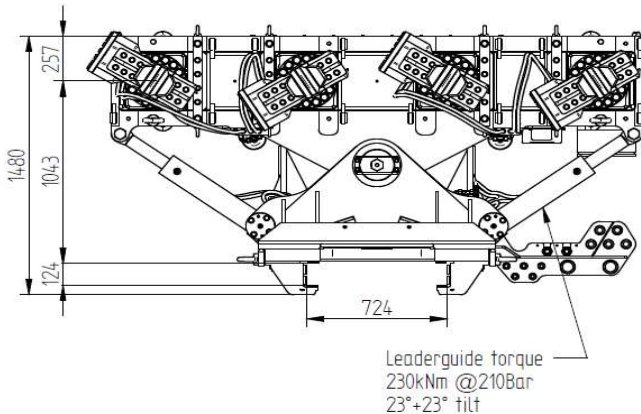
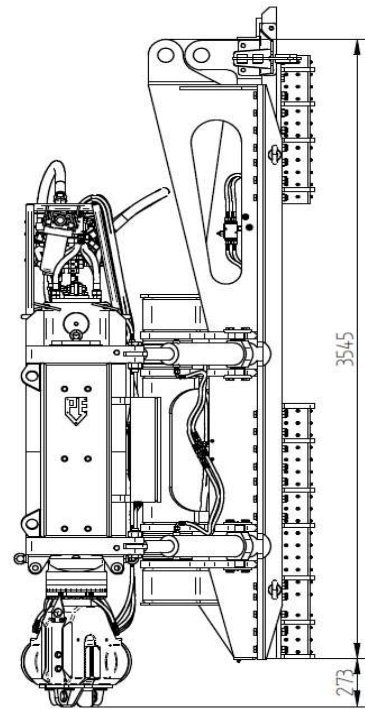
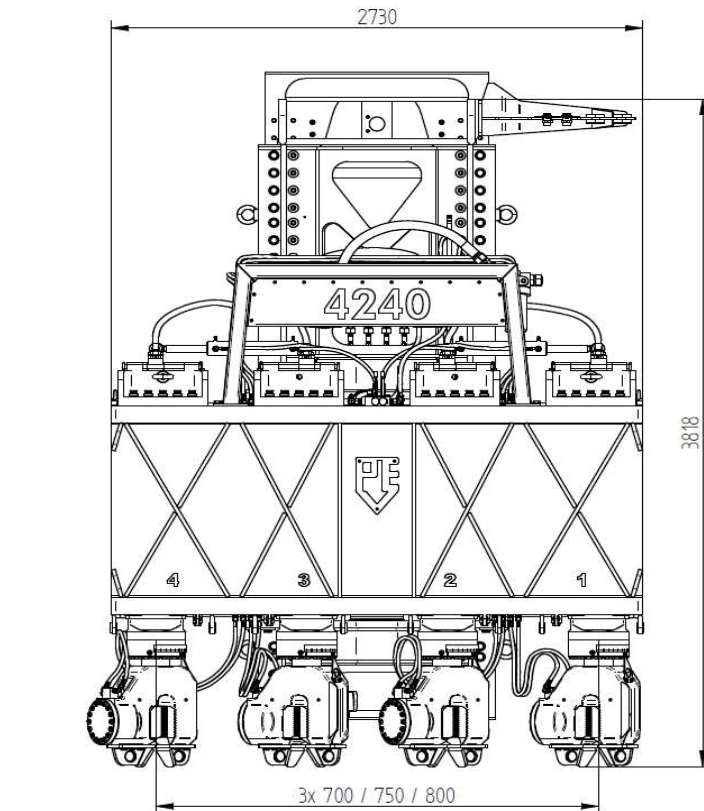


# Specification sheet

## PVE 4240Z-800

### Sheetpilepresser

English



### Specifications :

Push force @320Bar	814 kN	<b>Clamps:</b>	
Pull force @320Bar	510 kN	Clamping force @320Bar	814 kN
Max. operating pressure	350 bar	Max. operating pressure	350 Bar
Stroke	550 mm	Transport weight per piece	350 kg
Max. oil flow per cylinder	330 l/min		
Max. total oil flow	660 l/min		
Total weight incl. 4x PRC080 clamps	11000 kg		

### Energy supply:

Pressure and return	240-660 l/min	>1.1/2 "
Drain		>3/8 "
Rotate pressure and return		>3.8 "
Power	24V	20 A

### Fit for sheetpiles:

Z-pile, width	700 mm
Z-pile, width	750 mm
Z-pile, width	800 mm